

## DUPLEX PUMP UNITS SPM SERIES

### FEATURES

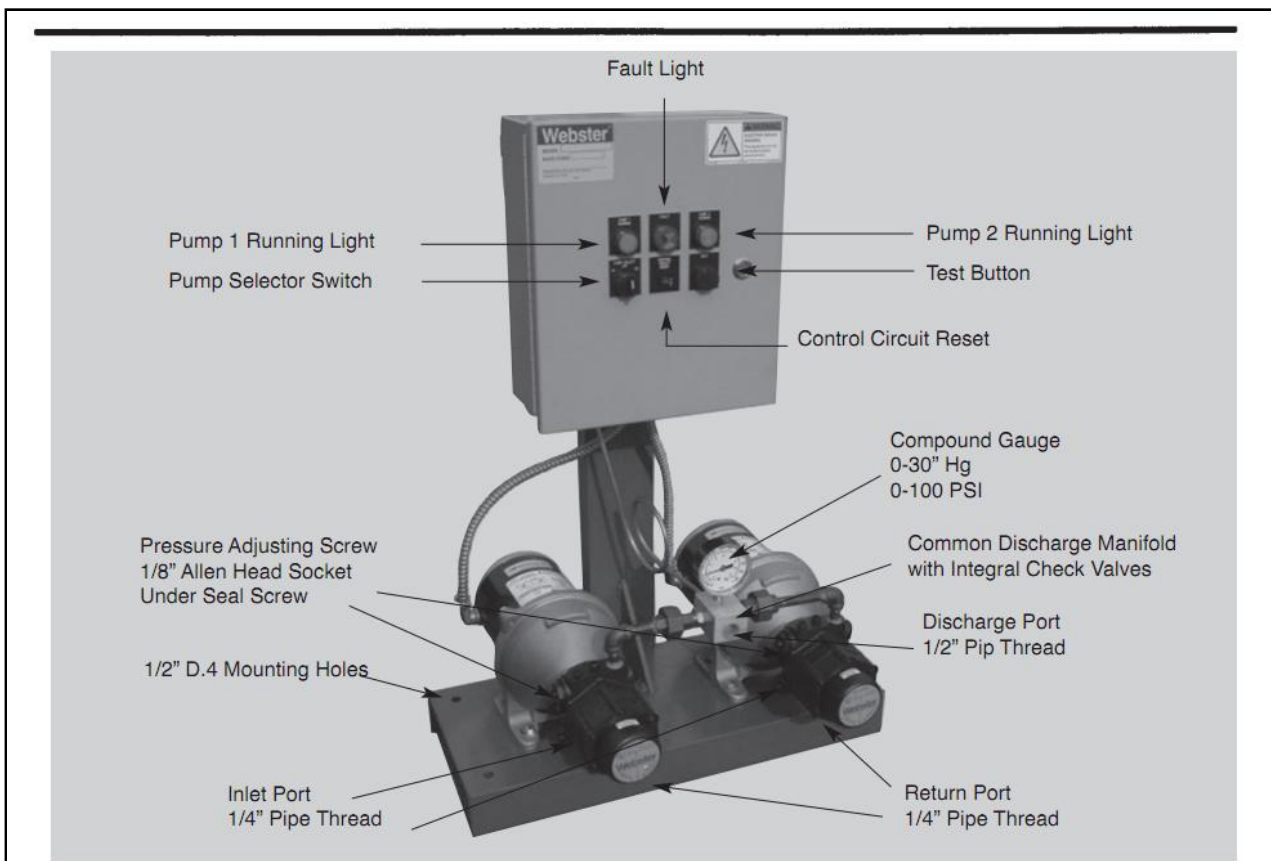
The SPM duplex models consist of two pump/motor assemblies with a pre-piped, common discharge manifold. One pump/motor unit operates continuously, with the second providing backup service if the main pump fails. Either automatic (SPM-DA models) or manual (SPM-DM models) controls are available.

The duplex automatic series are designed specifically for buildings where a constant supply of oil must be assured ... hospitals, apartment buildings, schools and other commercial/industrial buildings

The DA Series is equipped with a pressure sensing device which detects a loss in pressure of the primary pump. If the standby pump is brought into service, an alarm sounds which indicates a malfunction in the primary pump.

The electric control circuit on the duplex automatic pump set is equipped with a lead-lag switch to permit manual alternation of pump to provide even wear on each pump.

The manually operated duplex pump sets offer the same protection as an automatic except the standby pump must be turned on manually which requires that maintenance personnel always be available.



## **SUPPLY UNIT SPECIFICATIONS**

### **SPM Series Supply Units**

#### **Single and Duplex**

*Capacities:*

15, 30, 65, and 135 gph

*Pressure:*

Maximum operating pressure to 80 psi or 200' of head.

*Motors:*

All motors are 60 cycle, 1750 rpm, continuous duty, 48N frame, 1/6, 1/4, 1/3 hp: split phase, 115 or 230 volt operation, 1/2 hp: capacitor start/induction run, TEFC, dual 115/230 volt.

*Pumps:*

SPM 15, 35, and 65: uses Webster "2R" Series pump units.  
SPM 135: uses the Webster "2V" Series pump unit.  
Webster 2R and 2V are UL listed

*Porting:*

SPM 15, 30, 65:

1/4" NPTF—2 inlets, outlet port and top and bottom returns

SPM 135:

1/4" NPTF—outlet port

3/8" NPTF—return port, 2 optional inlets.

1/2" NPTF—inlet.

*Seal:*

All models—double lip type.

*Mounting:*

All models — four bolt foot mount

*Filter:*

Rotary self cleaning type, except in SPM 135. Use of external line filter recommended.

*Valves:*

Pressure regulating assembly in pump maintains set pressure.

Check valve maintains oil in feeder lines for instant starts.

*Gauge:*

2-1/2" dia., calibrated from 30" vacuum to 100 psi.

*Controls:*

Two Types for Duplex Units Only Duplex automatic with lead-lag switch and alarm. Manual with selector switch.

*Maximum Inlet Vacuum:*

All units—15" Hg

National Fire Protection Association compliance requires fuel inlet pressure not to exceed 3 psig.

**SELECTION TABLE**

**Models and Design Data Table 1**

Model	Type	Motor Voltage	Motor hp	Max. Head ft*	Valve Adj. Range	Watts @ 80 psi	Max Flow			Pump Model No.
							@ min. psi	Max Flow @ 80 gph	Suction Cap.	
SPM-15-1	Single	115								
SPM-15-2	Single	230								
SPM-15-1-DA	Duplex-Auto.	115	1/6	200'	10 to 100 psi	65	22	15	35	2R181C-5BQ4
SPM-15-2-DA	Duplex-Auto.	230								
SPM-15-1-DM	Duplex-Man	115								
SPM-15-2-DM	Duplex-Man	230								
SPM-30-1	Single	115								
SPM-30-2	Single	230								
SPM-30-1-DA	Duplex-Auto	115	1/4	200'	10 to 100 psi	95	45	30	70	2R283C-5BQ4
SPM-30-2-DA	Duplex-Auto	230								
SPM-30-1-DM	Duplex-Man	115								
SPM-30-2-DM	Duplex-Man	230								
SPM-65-1	Single	115								
SPM-65-2	Single	230								
SPM-65-1-DA	Duplex-Auto.	115	1/3	200'	10 to 100 psi	175	90	65	125	2R686C-5BQ4
SPM-65-2-DA	Duplex-Auto.	230								
SPM-65-1-DM	Duplex-Man	115								
SPM-65-2-DM	Duplex-Man	230								
SPM-135	Single	Dual								
SPM-135-DA	Duplex-Auto.	115	1/2	200'	10 to 100 psi	300	157	135	250	2V086C-5D04
SPM-135-DM	Duplex-Man.	230								

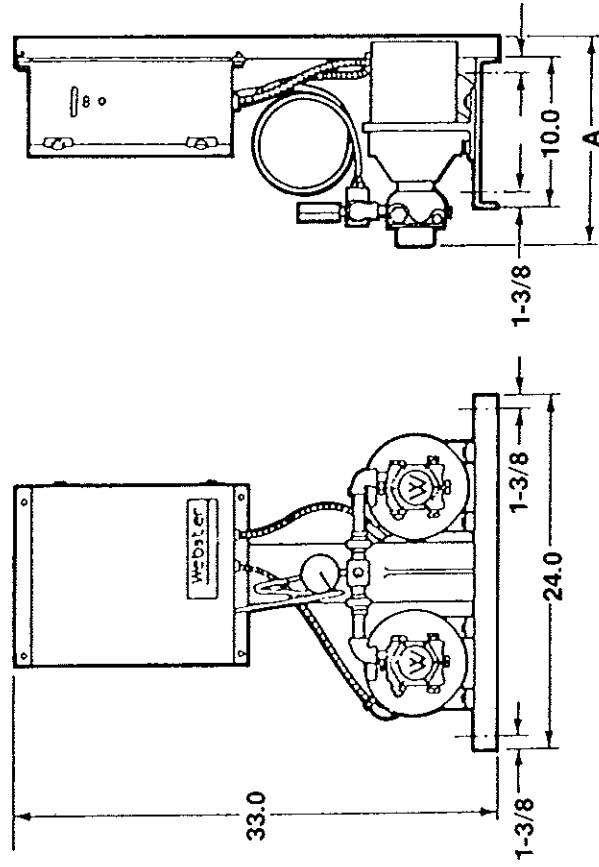
SPM Pumps are set at 20 psi.

\* Equivalent head equals vertical height from supply pump discharge to highest point in system, plus pressure drop for length of piping run, plus additional losses due to fittings.

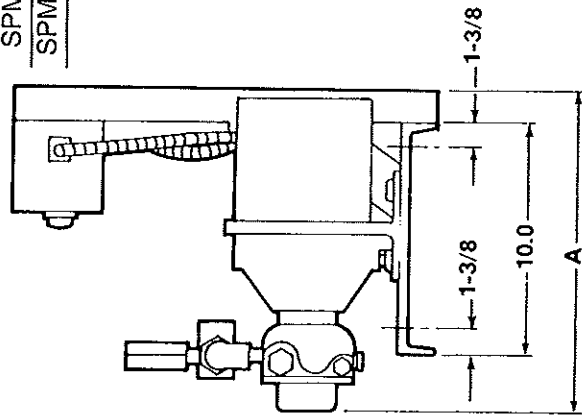
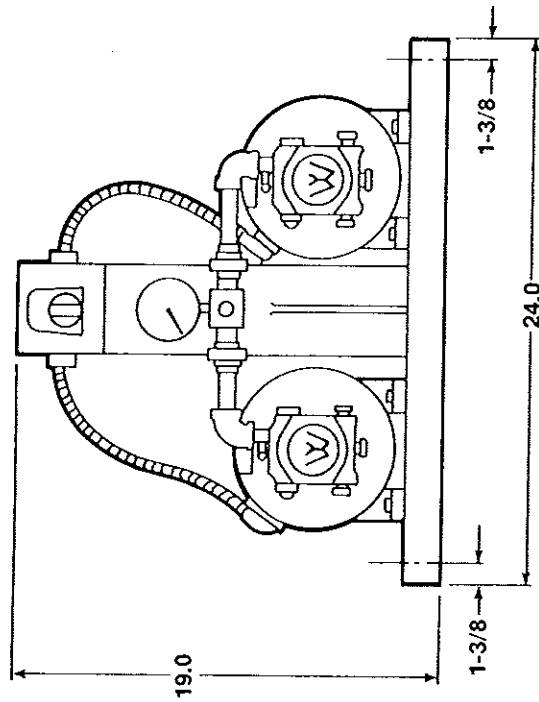
\*\* Pumping #2 oil (34SSUU) .85 Sp. gr.

**Dimensions  
Duplex Automatic**

Model	A	Pipe Tap
SPM-15-DA	14.94	1/4
SPM-30-DA	16.53	1/4
SPM-65-DA	16.90	1/4
SPM-135-DA	21.37	3/8



**Dimensions  
Duplex Manual**



Model	A	Pipe Tap
SPM-15-DM	14.94	1/4
SPM-30-DM	16.53	1/4
SPM-65-DM	16.90	1/4
SPM-135-DM	21.37	3/8